

HDMI® 4x2 Matrix Switcher with Dual Audio De-embedder, ARC & 4K UltraHD

Cross-Switch 4 HDMI Sources to 2 UltraHD Displays with Digital Audio

MPN: SW-HD4X24K



The KanexPro SW-4X2HD4K is a high-performance 4-input; 2-output matrix switcher with two separate S/PDIF audio extractors on both outputs supporting ARC (Audio Return Channel) made to deliver 4K resolutions from your HDMI sources to dual displays and separate digital audio. This HDCP compliant matrix provides built-in EDID management that learns display parameters and properly outputs to right resolutions up to 4K UHD.

The 4x2 HDMI matrix can be controlled using IR and includes an IR remote for operation, RS-232 control via a computer or program, or using front-panel buttons.

FEATURES

- Switch 4 HDMI sources to two 4K outputs (IEC 61937), DSD, DST, DTS & HBR
- Supported resolutions:
 - 4K@30Hz with 24bit RGB/YCbCr 4:4:4 & YCbCr 4:2:2
 - 4K@60Hz with 12bit YCbCr 4:2:0
 - HD 1080p/60/30/24
 - Computer resolutions: 1280x720 - 1920x1200
 - 3D frame sequential video format up to 1080p@60
 - PCM audio up to 192kHz, compressed audio
- Supports Audio Return Channel
- Separate audio de-embedding thru SPDIF
- Built-in EDID management
- HDCP 1.4 compliant
- Control via RS-232, IR & front panel buttons
- IR remote control included
- Front-panel LED's for input/ output signal presence
- 5V DC external power supply included

SPECIFICATIONS

Input: HDMI x 4

Output: HDMI x 2

Output Audio Signals: Digital Coaxial

Video Amplifier Bandwidth: 10.2 Gbps

Color Depth: 12-bit per channel and xvYCC color space

Power Supply: 5V DC @ 2A

Power Consumption: 8W

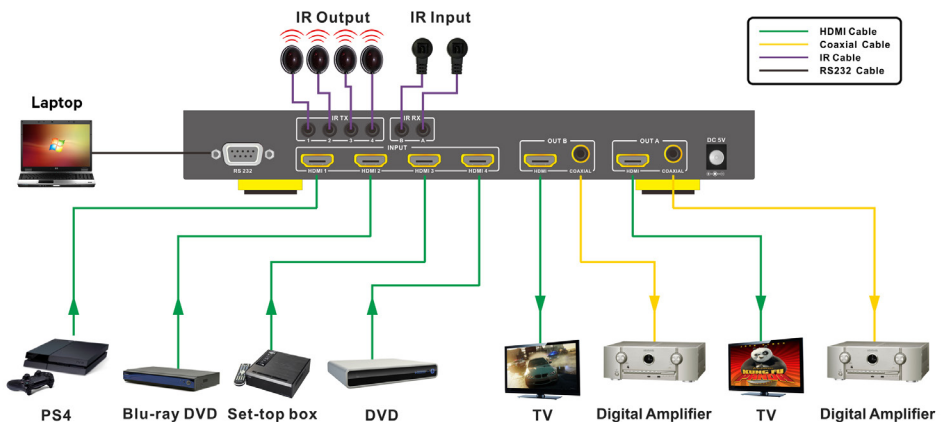
Operating Temperature: 0°C to +70°C

Regulatory Approvals: FCC, CE, UL

Dimensions: 10.1"x4.4"x1" (D 260 x W113 x H26mm)

Weight: 1.6lbs (726g)

Note: Rack ears/ brackets not included



ABOUT KANEXPRO

KanexPro carries a broad selection of A/V connectivity products by leveraging the core strength in professional systems enabling you to broadcast, convert, extend, split, or multiply HD signal transmissions; simply and cost-effectively. KanexPro is a trademark. HDMI, the HDMI logo, and High-Definition Multimedia Interface are trademarks or registered trademarks of HDMI Licensing, LLC in the United States and/or other countries. All other product or service names are the property of their respective owners.