

KanexPro®

SP-HDCAT1X8



HDMI 1x8 Distribution Amplifier w/ CAT5e/6 outputs

up to 394ft. (120 meters)

USER MANUAL

TABLE OF CONTENT

INTRODUCTION	2
APPLICATIONS	2
FEATURES.....	2
IMPORTANT SAFETY NOTES	2
PACKAGE CONTENT	3
INSTALLATION REQUIREMENTS.....	3
PANEL DESCRIPTION	4
CONNECTION AND OPERATION.....	4
▪ 1) Network Cable	
▪ 2) Connection	
CONNECTION INSTRUCTION	4
FAQ.....	5
SPECIFICATION	5
AFTER-SALES SERVICE	6
WARRANTY	7

Introduction:

The KanexPro SP-HDCAT1X8 is a one transmitter and eight extenders - receiver set that enables high resolution 1080p HDMI signals to be routed over distances up to 394ft.(120m) significantly beyond the capability of standard HDMI connectivity. When connected using installer friendly CAT5e/6 cables, the transmitter inputs the HDMI signal into eight identical outputs carrying 394 ft./1080p resolution simultaneously from the provided receivers. For control options, the 1x8 splitter comes with IR receivers for each of the receivers and provides IR pass-back function to control the HDMI source device remotely from the displays.

This HDMI amplifier offers an ideal, cost effective means for extending digital video, multichannel audio, and control signals using IR from HDMI equipped devices. Each receiver works with the splitter as a full functional unit enabling full 1920 x 1080p/60Hz resolution.

Applications:

Perfect for house of worship centers, retail stores and residential /smart home theater applications where one HDMI device can be distributed to eight displays over a single network cable up to 394 ft. without losing signal integrity.

Important Safety Notes:

1. Do not plug-in/out the network cables and IR cables when in use.
2. Use DC12V only. Make sure that the power specification is matched if using 3rd party DC adapters.

Features:

- Support 1 HDMI input to 8 HDMI outputs (one HDMI device to 8-displays)
- Up to 120 meters' transmission distance over single cat6 (high quality cable can reach 150meters)
- Compatible with the receiver device which supports HDBiT transport protocol
- Compatible with HDCP1.4
- Metal housing and mountable design
- IR control inclusive

Package Contents:



HDMI extender TX



IR blaster extension cable



DC12V/3A power adapters



User manual

Installation Requirements:

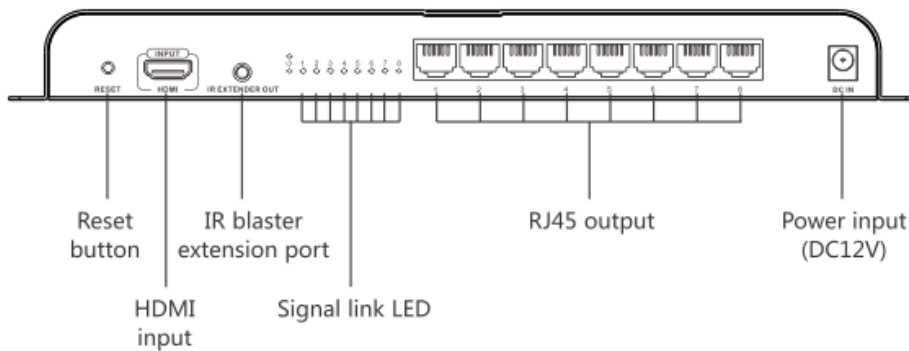
1. HDMI source device (computer graphics card, Blu-ray, PS4, HD ROKU devices, etc.)
2. HDMI display device like HDTV, and projector with HDMI port.
3. HDMI extender RX which supports HDBiT transport protocol
4. UTP/STP Cat5/5e/6 cable, follow standard IEEE-568B
Network cable length requirement between every connection:

CAT5 80m

CAT5E 100m

CAT6 120m

Panel Description:



Connection and Operation:

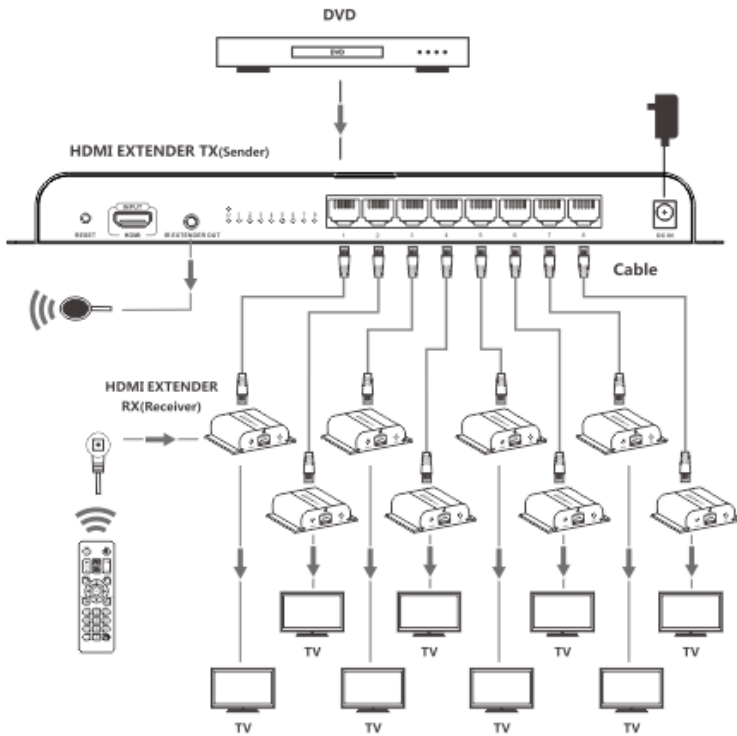
1. Network Cable

Follow the standard of IEEE-568B:

- 1- Orange/white
- 2- Orange
- 3- Green/white
- 4- Blue
- 5- Blue/white
- 6- Green
- 7- Brown/white
- 8- Brown



2. Connection



Connection Instruction:

- 1). Connect HDMI input with HDMI output of source device.
- 2). Connect IR blaster extension cable to the IR extender out port.
- 3). Connect RJ45 port with RJ45 input port of HDMI extender RX.
- 4). Connect HDMI output of HDMI extender RX to HDMI input of HDTV and set the TV source input to correct HDMI input channel.
- 5). Power on the device (power indicator led lights) and it works.

FAQ's:

Q: TV display showing the message on screen: "waiting for connection..." on the bottom right corner?

A: Please check if the power supply of TX (sender) and RX (receivers) are well connected and the power indicator led lights are on and make sure all cables are firmly connected.

Q: TV displays the message on screen: "Please check the TX input signal"?

- **1)** Please verify if there is an HDMI signal input of TX connected to a device and its powered on.
- **2)** Try to connect the signal source directly to display to see if there is signal output from source device or change the signal source, HDMI cables and try again.

Q: Display not smooth and stable

- **1)** Please check the cable length between TX(sender) and RX(receiver) is within the required range. (less than 25ft of HDMI cable is recommended or shorter).
- **2)** Click the "reset" button on the TX/RX panel, reset and then reconnect.

Specification:

Items	Specifications
HDMI signal	Compatible with HDCP1.4
Transport protocol	HDBIT Technology
Support resolutions	480i@60Hz, 480p@60Hz, 576i@50Hz, 576p@50Hz, 720p@50/60Hz, 1080i@50/60Hz, 1080p@50/60Hz
Transmit distance	Up to 120meters transmission distance for 1080p full HD over single CAT6
IR signal	Support 20~60kHz IR device
Input	1 x HDMI
Output	Cat5e/6 x 8
Connection Indicator LEDs	8 x LED
Working Temperature	0°C ~ 60°C
Power supply	DC12V/3A
Power Consumption	<24W
Dimension	299(W)x 110.7 (D) x29.6 (H) mm
Weight	(10lbs). 430g
Color	Black

After-sales Service:

- 1) If there are any issues when running SP-HDCAT1X8, please refer to page 4 of this user manual. Any transport costs are accepted by the users during the warranty.
- 2) You can email to our after-sales department or make a call, please tell us the following information about your cases.
 - Product version or model #.
 - Detailed failure situations.
 - The formation of the case and since when it started having issues
- 3) We offer products with full three-year warranty, which starts from the date of purchase of this product.
- 4) If the problem is caused by the following cases listed; we will not offer warranty service or replacement:

- Product warranty has expired beyond the warranty period.
 - Damaged due to power surge or electrical storm / spike.
 - Damage due to incorrect usage.
 - Damage due to device assembly operations by the maintenance company non-assigned.
 - No certificate or invoice provided to us as the proof of warranty.
 - The product model showed on the warranty card does not match with the model of the product for repairing or had been altered.
 - Damage caused by force majeure.
- 5) This document is just a user manual released with this product, not a quality guarantee. Any new updates or functions added later will be updated on the web page and online spec sheet first, we will update this document without further notice.

Note: For any product related questions, please try to get help from your local distributor or contact our support at (888)-975-1368, Email: support@kanexpro.com

Warranty:

A. Limited Warranty

KanexPro™ warrants that (a) its products (the "Product") will perform greatly in agreement with the accompanying written materials for a period of 36 months (3 full year) from the date of receipt and (b) that the product will be free from defects in materials and workmanship under normal use and service for a period of 3 years.

B. CUSTOMER REMEDIES

KanexPro entire liability and Customer's exclusive remedy shall be, at KanexPro option, either return of the price paid for the product, or repair or replacement of the Product that does not meet this Limited Warranty and which is returned to KanexPro with a copy of customers' receipt. This Limited Warranty is void if failure of the Product has resulted from accident, abuse, or misapplication. Any replacement Product will be warranted for the remainder of the original warranty period of 1 year, whichever is longer.

C. NO OTHER WARRANTIES

To the maximum extent permitted by applicable law, KanexPro disclaims all other warranties, either express or implied, including, but not limited to implied warranties of merchantability and fitness for a particular purpose, with regard to the product and any related written materials. This limited warranty gives customers specific legal rights. Customers may have other rights depending on the jurisdiction.

D. NO LIABILITY FOR DAMAGES

To the maximum extent permitted by applicable law, in no event shall KanexPro be liable for any damages whatsoever (including without limitation, special, incidental, consequential, or indirect damages for personal injury, loss of business profits, business interruption, loss of business information, or any other pecuniary loss) arising out of the use of or inability to use this product, even if KanexPro has been advised of the possibility of such damages.

Disclaimer

The product name and brand name may be registered trademark of related manufacturers.™ and ® may be omitted on the user manual. The pictures on the user manual are just for reference, and there may be some slight difference with the real products.

We reserve the rights to make changes without further notice to a product or system described herein to improve reliability, function or design

KanexPro[™]

Brea, California
KanexPro.com