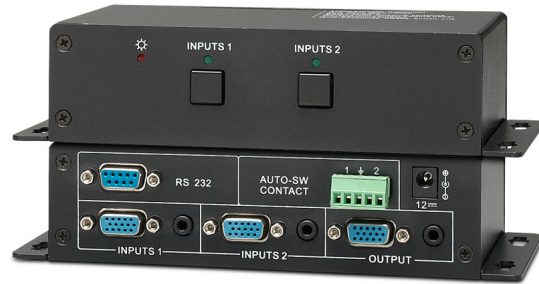


VGA 1x2 Auto-Switcher with Stereo Audio

Switch between 2-VGA sources with Stereo Audio

MPN: VGASW2A



The KanexPro 1x2 VGA switcher

is a compact two input, one output, active switcher with stereo audio, which enables the next generation of auto-switching between two computers to an interactive whiteboard or a projector. It supports analog video signals such as RGBHV, RGBS, RGsB, RGBHVS and high-resolution signals up to QUXGA (3200x2400@60Hz) including 1080p/60.

In addition, several VGASW2A switchers can be daisy-chained using high-resolution VGA cables to create a multi-user presentation system. Also provides various control options such as RS-232, front-panel buttons or using an optional contact closure wall plate that can be remotely installed up to 100 meter away from the switcher.

FEATURES

- Auto-switch high-resolution VGA sources with audio
- Supports bandwidth up to 1Ghz (-3dB)
- Supports full HD 1080p (1920x1080@60Hz)
- Computer resolutions up to QUXGA (3200x2400@60Hz)
- Automatic gain compensation and equalization
- Audio breakaway switching for corresponding video
- 3.5mm stereo audio jack for input/ output
- Front-panel LEDs for input signal presence
- Control through RS-232 and front-panel buttons
- Table/ Wall-mountable aluminum enclosure
- Universal power adaptable (100Volt-240Volt AC, 50/60Hz)

SPECIFICATIONS

Video Input/Output

- Input: 2xVGA
- Video Signal: RGBHV, RGBS, RGsB, RsGsBs, Component video,
- S-Video, composite video.
- Output: 1xVGA
- Video Signal: RGBHV, RGBS, RGsB, RsGsBs, Component video,
- S-Video, composite video.

Control Parts

- Control/Remote: Buttons; RS-232

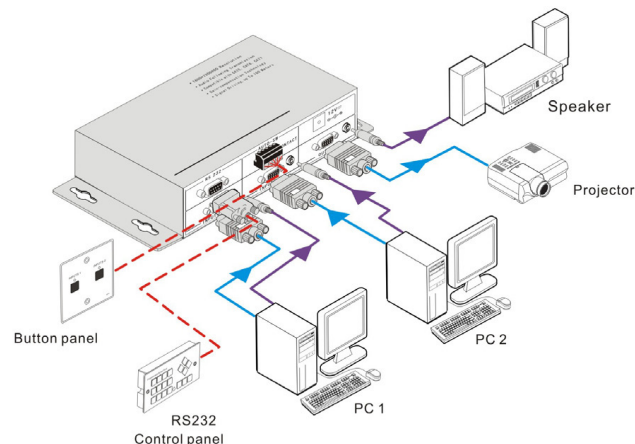
Video General

- Resolution Range: 3200x2400@60Hz(-3dB)
0-10MHz is +0.1dB to 0.1dB0-130MHz is +6dB to -0.8dB

- Bandwidth: 1GHz (-3dB) full loading
- Crosstalk: -50dB@5MHz
- Switching Speed: 200ns (Max.)
- Input/output level: 0.5Vp-p - 2.0Vp-p
- I/O Impedance: 75 Ohms

General

- Resolution Range: 3200x2400@60Hz(-3dB)
0-10MHz is +0.1dB to 0.1dB0-130MHz is +6dB to -0.8dB
- Bandwidth: 1GHz (-3dB) full loading
- Crosstalk: -50dB@5MHz
- Switching Speed: 200ns (Max.)
- Input/output level: 0.5Vp-p - 2.0Vp-p
- I/O Impedance: 75 Ohms



ABOUT KANEXPRO

KanexPro carries a broad selection of A/V connectivity products by leveraging the core strength in professional systems enabling you to broadcast, convert, extend, split, or multiply HD signal transmissions; simply and cost-effectively. KanexPro is a trademark. HDMI, the HDMI logo, and High-Definition Multimedia Interface are trademarks or registered trademarks of HDMI Licensing, LLC in the United States and/or other countries. All other product or service names are the property of their respective owners.