

KanexPro®

SP-HDCAT1X4



USER MANUAL

HDMI 1x4 Distribution Amplifier w/ CAT5e/6 outputs

up to 394ft. (120 meters)

1. Introduction:

The KanexPro SP-HDCAT1X4 is a 1x4 HDMI splitter with one transmitter and four receivers set amplifier that, enables HDMI or DVI signals to be routed over distances up to 394ft.(120m) significantly beyond the capability of standard HDMI or DVI cables. When connected together using four economical and installer friendly CAT5e/6 cables, the transmitter inputs the HDMI signal into four identical outputs carrying 393ft./1080p resolution simultaneously from the provided receivers.

This HDMI amplifier offers an ideal, cost effective means for extending digital video, multichannel audio, and control signals from HDMI equipped devices. Each receiver works with the splitter as a full functional unit enabling full 1920 x 1080p/60 resolution. This professional HDMI to CAT5e/6 splitter is optimized for a variety of installation environments including digital signage, classroom and medical imaging markets.

2. Features:

- Distribute HDMI over Single Cat5e/6 - High Resolution audio and video
- Includes 4-independent receivers
- Extend over single CAT5e/6 up to 394ft. (120 meters)
- Supports full HD 1080p (1920 x 1080@60Hz)
- Supports 5.1, 7.1 Digital Audio and uncompressed LPCM
- HDCP 1.4 & EDID support
- IR control
- Metal enclosure
- Quick and easy to set up

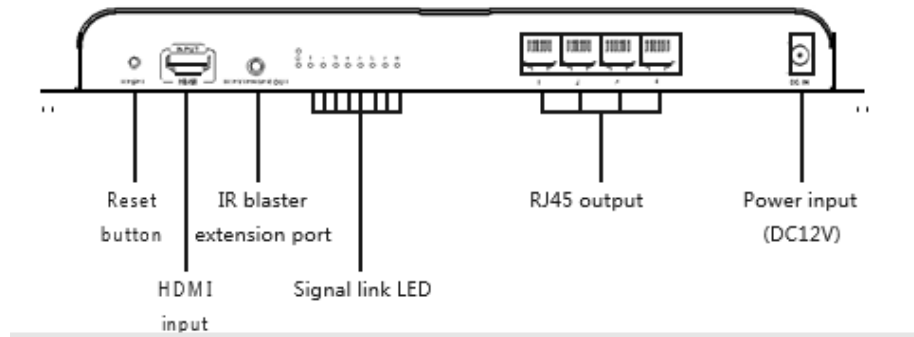
3. Package Includes:

- 1x SP-HDCAT1x4 Transmitter
- 4x SP-HDCAT1x4 Receivers
- 1x DC 12v/3A power adapter
- 1x IR transmission Kit
- 1X user manual

4. Installation Requirement:

- HDMI source device (computer graphics card, DVD, PS3, HD monitoring equipment etc)
- HDMI display device like SDTV, HDTV, and projector with HDMI port.
- HDMI extender RX which supports HDBiT transport protocol
- UTP/STP cat5/5e/6 cable, follow standard IEEE-568B Network cable length supported between every connection: CAT5 80m, CAT5E 100m and CAT6 120m

5. Panel Description:



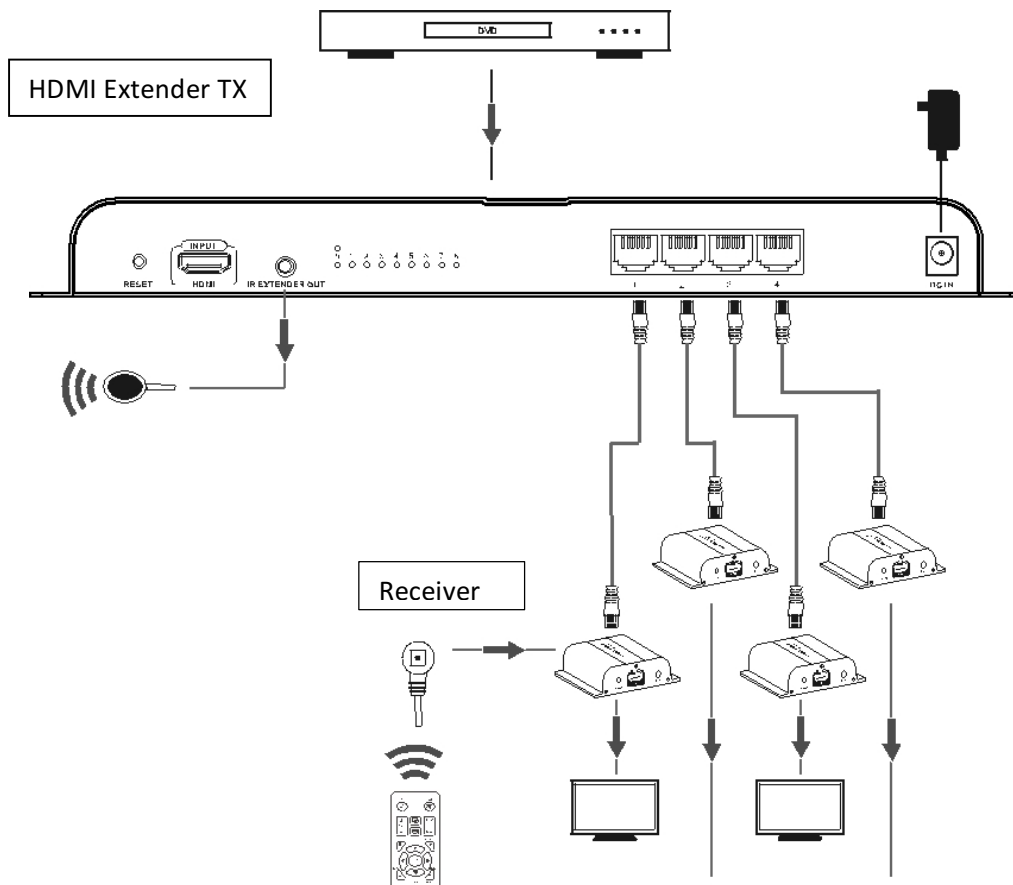
6. Connection and Operation:

• Network Cable:

Follow IEEE-568B

1. Orange/white	5. Blue/white
2. Orange	6. Green
3. Green/white	7. Brown/white
4. Blue	8. Brown

• Connection:



- **Connection Instruction**

- 1). Connect HDMI input with HDMI output of source device.
- 2). Connect IR blaster extension cable to the IR extender out port.
- 3). Connect Cat5e/6 cable between Transmitter and receiver
- 4). Connect HDMI output of HDMI extender RX to HDMI input of HDTV and set the TV source input to correct HDMI input channel.
- 5). Power on the device (power indicator led lights) and it works.

7. Specifications

Items	Specifications
HDMI Signals	Compatible with HDCP 1.4
Transport protocol	HDBiT
Support resolutions	480i@60Hz, 480p@60, 576i@50, 576P@50, 720p@50/60, 1080i@50/60, 1080p@50/60
Transmit Distance	394ft(120m)
IR Signal	Support 20~60KHz IR device
Input	1xHDMI
Output	4xRJ45
Connection Indicator Led	4xled
Working Temperature	0~60 c
Power supply	DC12V/3A
Power consumption	<24W
Dimensions	299(W) x 110.7(D) x 29.6(H) mm
Weight	430g
Color	Black

8. FAQ

Q:TV display “waiting for connection” on the bottom right corner?

A:1) Please check if the power supply of TX (sender) and RX(receiver) is well connected and the power indicator led lights on.

- 2) Make sure all cables are firmly connected.

Q: TV display “Please check the TX input signal”?

A:1) please check if there is an HDMI signal input of TX.

2) Try to connect the signal source directly to display device to see if there is signal output from source device or change the signal source, HDMI cables and try again.

Q: Display not fluent and stable?

A: 1) Please check the cable length between TX(sender) and RX (receiver) is within the required range.

2) Press “reset” button on the RX/RX panel, reset and reconnect.

9. Warranty

A. Limited Warranty

KanexPro™ warrants that (a) its products (the “Product”) will perform greatly in agreement with the accompanying written materials for a period of 36 months (3 full year) from the date of receipt and (b) that the product will be free from defects in materials and workmanship under normal use and service for a period of 3 years.

B. CUSTOMER REMEDIES

KanexPro entire liability and Customer’s exclusive remedy shall be, at KanexPro option, either return of the price paid for the product, or repair or replacement of the Product that does not meet this Limited Warranty and which is returned to KanexPro with a copy of customers’ receipt. This Limited Warranty is void if failure of the Product has resulted from accident, abuse, or misapplication. Any replacement Product will be warranted for the remainder of the original warranty period of 3 years, whichever is longer.

C. NO OTHER WARRANTIES

To the maximum extent permitted by applicable law, KanexPro disclaims all other warranties, either express or implied, including, but not limited to implied warranties of merchantability and fitness for a particular purpose, with regard to the product and any related written materials. This limited warranty gives customers specific legal rights. Customers may have other rights depending on the jurisdiction.

D. NO LIABILITY FOR DAMAGES

To the maximum extent permitted by applicable law, in no event shall KanexPro be liable for any damages whatsoever (including without limitation, special, incidental, consequential, or indirect damages for personal injury, loss of business profits, business interruption, loss of business information, or any other pecuniary loss) arising out of the use of or inability to use this product, even if KanexPro has been advised of the possibility of such damages.

KanexPro™