

KanexPro®

SW-HD4X24K Matrix Switcher

HDMI® 6x2 Matrix Switcher with PIP, Audio De-embedder & 4K UltraHD

User manual – Version 2.2



Thank you for purchasing this product. For optimum performance and safety, please read these instructions carefully before connecting, operating this product. This manual for reference only and latest updates may be available on the web page.

I. Introduction

The KanexPro SW-6X2HD4K is a high-performance 6-input; 2-output matrix switcher supporting audio de-embedding via two separate S/PDIF outputs. The output A also supports ARC (Audio Return Channel) crafted to deliver 4K resolutions from your HDMI sources to dual displays and discrete digital audio. This HDCP 2.2 compliant matrix provides built-in EDID management that learns display parameters and properly outputs to right resolutions up to 4K UHD.

II. Features

- Switch 6 HDMI sources to two 4K outputs
- Supported resolutions:
 - 4K@30Hz with 24bit RGB/YCbCr 4:4:4 & YCbCr 4:2:2
 - 4K@60Hz with 12bit YCbCr 4:2:0
- HD 1080p/60/30/24
- Computer resolutions: 1280x720 ~ 1920x1200
- 3D frame sequential video format up to 1080p@60
- PIP function for dual screens
- Compatible audio formats: 7.1 ch, Dolby TrueHD, DTS-HD Master audio
- Supports PCM audio up to 192kHz
- Supports Audio Return Channel via Output A
- Separate audio de-embedding via SPDIF
- Built-in EDID management
- HDCP 2.2 compliant
- Control via IR & front panel buttons
- IR remote control included
- Front-panel LED's for input/ output signal presence
- 5V DC external power supply included

III. Package Includes

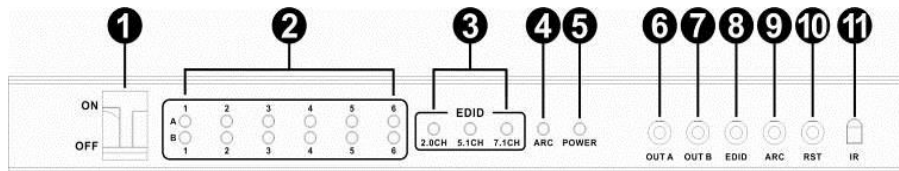
1. HDMI 1.4 Matrix 6*2-----1PC
2. 5V/2A DC Power Supply Adapter-----1PC
3. Remote control-----1PC
4. Operation Manual -----1PC
5. Mounting ears-----2PCS

IV. Specifications

- **Frequency Bandwidth** 2.97Gbps
- **Input Ports** 6 x HDMI Female.
- **Output ports** 2 x HDMI Female; 1x Toslink; 1x Earphone
- **HDMI Audio Output** PCM2, 5.1, 7.1CH, Dolby 5.1, DTS5.1, D-TrueHD, DTS-HD
- **Power Supply** 5V/2A DC (US/EU standards, CE/FCC/UL certified)
- **ESD Protection** ± 8kV (air-gap discharge)
- **Human Body Model:** ± 4kV (contact discharge)
- **Dimensions (mm)** 250(D) x110 (W) x 26(H)
- **Weight (g)** 720
- **Power Consumption (max)** 10W
- **Operating Temperature** 0°C ~ 40°C / 32°F ~ 104°F
- **Storage Temperature** -20°C ~ 60°C / -4°F ~ 140°F

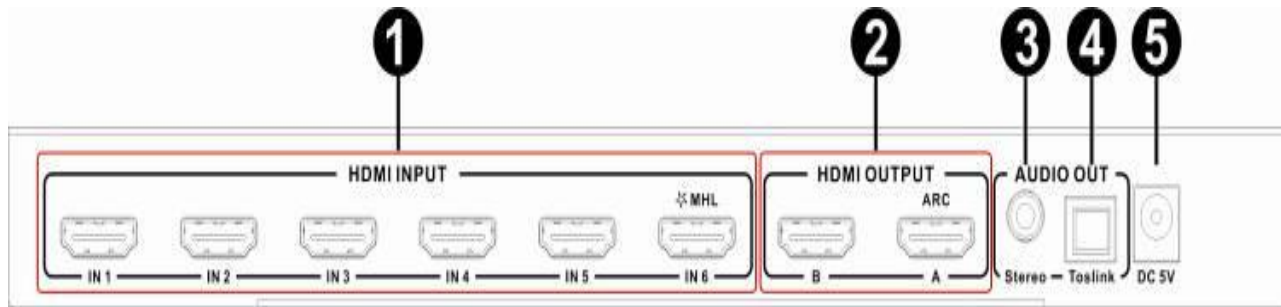
V. Operation controls and Functions

Front Panel



1. **ON/OFF:** Power on/off switch.
2. **Input LED:** These green LED illuminate when the output select to the corresponding input.
3. **EDID LED:** These green LED illuminate when the audio EDID select to corresponding audio.
4. **ARC LED:** This green LED illuminate when the ARC function open.
5. **POWER LED:** This green LED illuminate when the device is connected with power supply.
6. **OUTA KEY:** Press this button to select the input source to HDMI OUT A.
7. **OUTB KEY:** Press this button to select the input source to HDMI OUT B.
8. **EDID KEY:** Press this button to select the 2.0CH, 5.1CH, 7.1CH audio output mode.
9. **ARC KEY:** Press this button to open or close the ARC function.
10. **RST KEY:** Press this button the matrix will reset to factory state (INPUT1, 2.0CH AUDIO MODE, ARC function closed)
11. **IR:** Remote control signal receive.

Rear Panel



1. **Input Source:** These slots are where you connect the HDMI source output from DVD, PS3.
2. **HDMI OUT:** This slot is where you connect the HDTV or monitor with HDMI cable.
3. **Stereo OUT:** This slot is where you connect to the speaker with 3.5mm earphone cable.
4. **Toslink OUT:** This slot is where you connect to the amplifier with optical fiber cable.
5. **DC IN:** Plug the 5V DC power supply into the unit and connect the adapter to AC wall outlet.

Notice:

- The Toslink and Stereo audio follow the OUT A HDMI audio.
- The In1 (The first input port) support HDCP2.2 input only.
- The In6 (The sixth input port) support MHL input only, uses MHL to HDMI Cable to connect smart phone and matrix.
- The sure, output A supports ARC function only.

VI. Remote control

STANDBY: Press this button will standby or power on the matrix.

Audio EDID: Press this button will select the audio output mode (2.0CH, 5.1CH, 7.1CH), and the LED will indicate the corresponding state.

ARC: Press this button will open or close the ARC function, and the LED will indicate the corresponding state.

PIP: Press this button will open or close the PIP function. When open PIP function, the OUTA and OUTB will switch to the same input source.

Select: Press this button will select the PIP source.

Enter: Press this button will confirm the select PIP source.

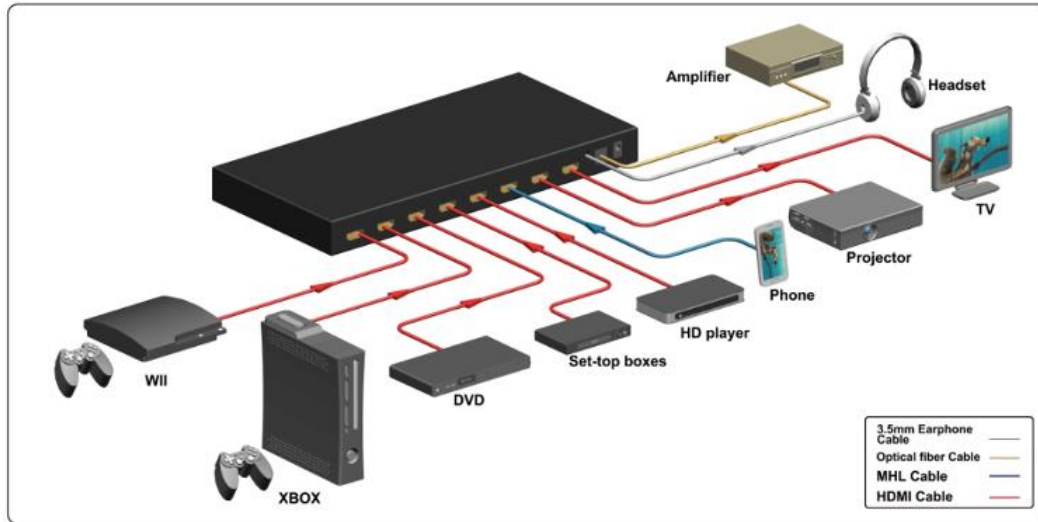
OUTA: Press these buttons will fast switch to select input source to HDMI OUTA. And the LED will indicate the corresponding input source.

OUTB: Press these buttons will fast switch to select input source to HDMI OUTB. And the LED will indicate the corresponding input source.

※**ARC function:** If you need to use ARC, your HDTV must support this function, when you open the ARC function, the Toslink of the Matrix will output the HDTV current display content audio. Otherwise it will output the Matrix input source audio.



VII. Application Diagram



Warranty

A. KanexPro™ warrants that (a) its products (the “Product”) will perform greatly in agreement with the accompanying written materials for a period of 3 years from the date of receipt and (b) that the product will be free from defects in materials and workmanship under normal use and service for a period of 1 year.

B. Customer Remedies

KanexPro entire liability and Customer’s exclusive remedy shall be, at KanexPro option, either return of the price paid for the product, or repair or replacement of the Product that does not meet this Limited Warranty and which is returned to KanexPro with a copy of customers’ receipt. This Limited Warranty is void if failure of the Product has resulted from accident, abuse, or misapplication. Any replacement Product will be warranted for the remainder of the original warranty period or 90 days whichever is longer.

C. No Other Warranties

To the maximum extent permitted by applicable law, Kanex Pro disclaims all other warranties, either express or implied, including, but not limited to implied warranties of merchantability and fitness for a particular purpose, with regard to product and any related written materials. This limited warranty gives customers specific legal rights. Customers may have other rights depending on the jurisdiction.

D. NO LIABILITY FOR DAMAGES

To the maximum extent permitted by applicable law, in no event shall Kanex Pro be liable for any damages whatsoever (Including without limitation, special, incidental, consequential, or indirect damages for personal injury, loss of business profits, business interruption, loss of business information, or any other

pecuniary loss) arising out of the use of or inability to use this product, even if Kanex pro has been advised of the possibility of such damages.

Support

KanexPro Technical and Customer support inquiries can be sent electronically via the following avenues:

Tech Support Inquiry: <http://www.kanexpro.com/support/>

Email: support@kanexpro.com

KanexPro Customer support can be reached via phone at (888) 975-1368 (International Calls: 1-714-332-1682) during the following times:

Monday – Friday: 6:00 am – 5:00 pm PST