

## HDMI® 6x2 Matrix Switcher with Audio De-embedder & 4K UltraHD

4K HDMI® 6x2 Matrix Switcher with ARC, PIP & MHL

MPN: SW-HD6X24K



### The KanexPro SW-6X2HD4K

is a high-performance 6-input; 2-output matrix switcher with two separate S/PDIF audio extractors on both outputs with ARC (Audio Return Channel) created to deliver 4K resolutions from your HDMI sources to dual displays and separate digital audio. This HDCP 2.2 compliant matrix provides built-in EDID management that learns display parameters and properly outputs to right resolutions up to 4K UHD.

### FEATURES

- Switch 6 HDMI sources to two 4K outputs
- Supported resolutions:
  - 4K@30Hz with 24bit RGB/YCbCr 4:4:4 & YCbCr 4:2:2
  - 4K@60Hz with 12bit YCbCr 4:2:0
  - HD 1080p/60/30/24
- Computer resolutions: 1280x720 - 1920x1200
- 3D frame sequential video format up to 1080p@60
- PCM audio up to 192kHz, compressed audio (IEC 61937), DSD, DST, DTS & HBR
- Supports Audio Return Channel
- Separate audio de-embedding thru SPDIF
- Built-in EDID management
- HDCP 2.2 compliant
- Control via IR & front panel buttons
- IR remote control included
- Front-panel LED's for input/ output signal presence
- 5V DC external power supply included

### SPECIFICATIONS

**Input:** HDMI x 6

**Output:** HDMI x 2

**Output Audio Signals:** Digital Coaxial

**Video Amplifier Bandwidth:** 10.2 Gbps

**Color Depth:** 12-bit per channel and xvYCC color space

**Power Supply:** 5V DC @ 2A

**Power Consumption:** 8W

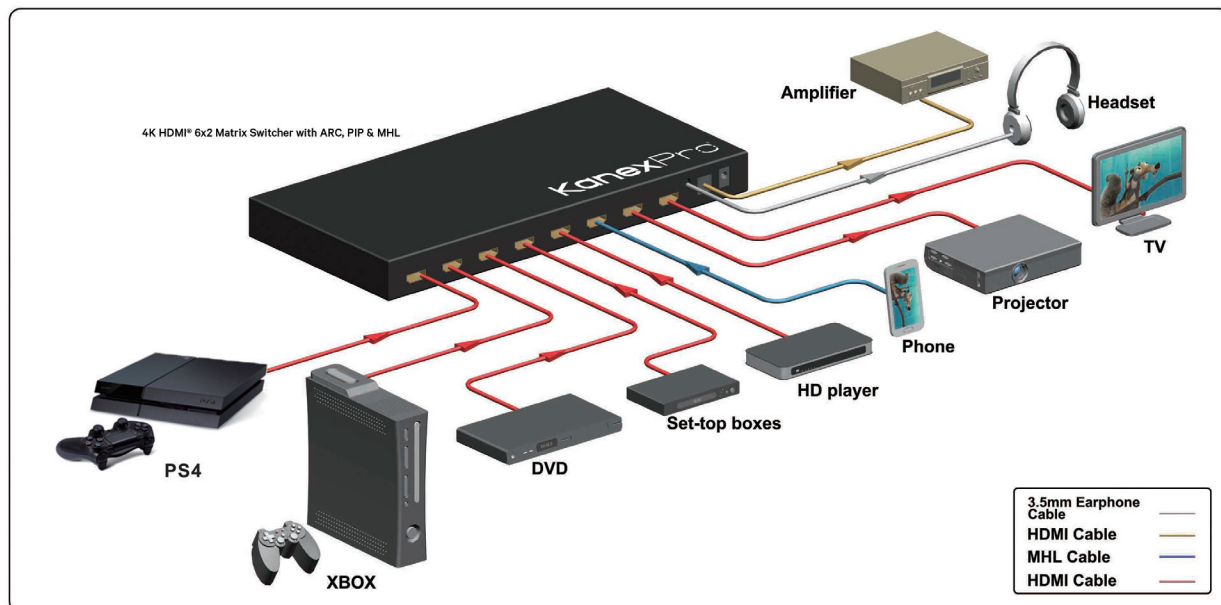
**Operating Temperature:** 0°C to +70°C

**Regulatory Approvals:** FCC, CE, UL

**Dimensions:** 10.1"x4.4"x1" (258x112x26mm)

**Weight:** 1.6lbs (726g)

**Note:** Rack ears/ brackets not included



### ABOUT KANEXPRO

KanexPro carries a broad selection of A/V connectivity products by leveraging the core strength in professional systems enabling you to broadcast, convert, extend, split, or multiply HD signal transmissions; simply and cost-effectively. KanexPro is a trademark. HDMI, the HDMI logo, and High-Definition Multimedia Interface are trademarks or registered trademarks of HDMI Licensing, LLC in the United States and/or other countries. All other product or service names are the property of their respective owners.