

KanexPro®

WP-HDBASETX

4K HDMI & VGA Wall Plate Transmitter Over HDBase T



All Rights Reserved

Version: WP-HDBASETX_2016V1.2

Preface

Read this user manual carefully before using this product. Pictures displayed in this manual are for reference only. Different models and specifications are subject to the actual product.

This manual is only for operational instruction, not for any maintenance usage. The functions described in this version are updated till Dec 2017. Any changes of functions and parameters since then will be informed separately. Please refer to the dealers for the latest details.

Trademarks

Product model and logo are trademarks. Any other trademarks mentioned in this manual are acknowledged as the properties of the trademark owner. No part of this publication may be copied or reproduced without the prior written consent.

FCC Statement

This equipment can generate, use, and radiate radio frequency energy and, if not installed and used in accordance with the instructions, may cause harmful interference to radio communications. It has been tested and found to comply with the limits of a Class B digital device, pursuant to part 15 of the FCC Rules. These limits are designed to provide reasonable protection against harmful interference in a commercial installation.

Operation of this equipment in a residential area is likely to cause interference, in which case the user at their own expense will be required to take whatever measures may be necessary to correct the interference

Any changes or modifications not expressly approved by the manufacture would void the user's authority to operate the equipment.



SAFETY PRECAUTIONS

To ensure the best from the product, please read all instructions carefully before using the device. Save this manual for further reference.

- Unpack the equipment carefully and save the original box and packing material for potential future shipment.
- Follow basic safety precautions to reduce the risk of fire, electrical shock and injury to persons.
- Do not dismantle the housing or modify the module. It may result in electrical shock or burn.
- Using supplies or parts not meeting the products' specifications may cause damage, deterioration or malfunction.
- Refer all servicing to qualified service personnel.
- To prevent fire or shock hazard, do not expose the unit to rain or moisture. Do not install this product near water.
- Do not place any heavy items on the extension cable in case of extrusion.
- Do not remove the housing of the device as opening or removing housing may expose you to dangerous voltage or other hazards.
- Install the device in a place with fine ventilation to avoid damage caused by overheating.
- Keep the module away from liquids.
- Spillage into the housing may result in fire, electrical shock, or equipment damage. If an object or liquid falls or spills on to the housing, unplug the module immediately.
- Do not twist/pull by force the ends of the optical cable. It can cause malfunction.
- Do not use liquid or aerosol cleaners to clean this unit. Always unplug the power cord to the device before cleaning.
- Unplug the power cord when left unused for an extended period.
- Information on disposal for scrapped devices: Do not burn or mix with general household waste; please treat the devices as normal electrical waste.

Contents

1. Introduction	1
1.1 Introduction to WP-HDBASETX.....	1
1.2 Features	1
1.3 Package List.....	1
2. Panel Description.....	2
2.1 Front Panel.....	2
2.2 Side Panel	3
2.3 Rear Panel.....	4
3. System Connection.....	4
3.1 Usage Precautions	4
3.2 System Diagram	5
3.3 Connection Procedure.....	5
3.4 Energizing Programmable Control Panel.....	6
3.5 PoC Solution.....	6
3.6 Application	7
4. Operations	7
4.1 Operations of front panel buttons	7
4.2 RS232 Control	7
4.2.1 Installation/uninstallation of RS232 Control Software	8
4.2.2 Basic Settings.....	8
4.2.3 RS232 Communication Commands	9
5. Specification	12
6. Panel Drawing	13
7. Troubleshooting & Maintenance	14
8. After-sales Service.....	Error! Bookmark not defined.
9. Warranty.....	16

1. Introduction

1.1 Introduction to Scaler Wall Plate HDBaseT Transmitter-B

The KanexPro WP-HDBASET X is a compact 2-input transmitter for sending HDMI or 15-pin HD analog video, audio and control up to 230 feet (70m) over a shielded CAT6. This Décor style 2-gang wall plate also supports PoE (power over Ethernet) to the receiver.

Based on HDBaseT™ technology, this wall plate extender is HDCP and EDID compliant ensuring proper output to displays.

1.2 Features

- Transmits HDMI or analog video, control, and analog audio up to 200 feet (70 meters) over a shielded CAT6 cable
- Auto-switching between inputs
- Supports computer and video resolutions up to 1920x1200, including 1080p/60 and 4K
- Remote power supporting PoE
- HDCP & EDID compliant
- RS-232 for control
- Supports high bandwidth up to 10.2 Gbps
- Locking HDMI connector
- High grade aluminum design for commercial grade applications
- Backed by KanexPro 3-Year Parts and Labor Warranty

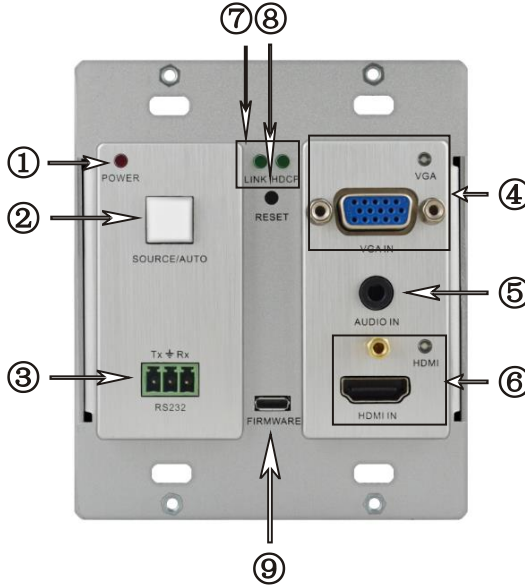
1.3 Package List

- 1 x Scaler Wall Plate HDBaseT Transmitter-B
- 4 x Screws (for Scaler Wall Plate HDBaseT Transmitter-B)
- 3 x Pluggable Terminal Blocks (1 2-pin block, 1 3-pin block, and 1 4-pin block)
- 1 x Face Plate (Selectable)
- 4 x Screws (for the face plate)
- 1 x Power Adapter (DC 12V 2A, selectable)
- 1 x User Manual

Notes: Please confirm if the product and the accessories are all included, if not, please contact with the dealers.

2. Panel Description

2.1 Front Panel



No.	Name	Description
①	Power indicator	Illuminates red when power on
②	SOURCE/ AUTO	<ul style="list-style-type: none"> ✓ Used as video source selection button (with backlight off): Press to select one source, press again to select next source, switching circularly between HDMI and VGA. The indicator of the selected input source will illuminate green. ✓ Used as switching mode selection button (with backlight on): Press and hold for 3 seconds or more to enter in Auto-switching mode, the indicator illuminates green when in auto-switching mode. Press and hold for 3 seconds or more again to enter in Manual-switching mode.
③	RS232	Serial port, 3-pin pluggable terminal block, connects with the control terminal to control the Scaler Wall Plate HDBaseT Transmitter-B, supports bi-directional RS232 control (send control signal from local or receive control signal sent from far-end devices).

④	VGA IN	<p>Connect with VGA source device.</p> <p>The indicator:</p> <ul style="list-style-type: none"> ✓ illuminate yellow when there is VGA signal input ✓ illuminate green when the signal source is chosen as input source ✓ turn off when there is no VGA input signal
⑤	AUDIO IN	<p>Connect with the audio output socket of VGA source device, deliver synchronous audio source with VGA signal source when choosing VGA as source signal.</p>
⑥	HDMI IN	<p>Connect with HDMI source device.</p> <p>The indicator:</p> <ul style="list-style-type: none"> ✓ illuminate yellow when there is HDMI signal input ✓ illuminate green when the signal source is chosen as input source ✓ turn off when there is no HDMI input signal
⑦	LINK & HDCP	<ul style="list-style-type: none"> ✓ LINK: Twisted Pair Link status indicator, illuminate green when successfully connected. ✓ HDCP: HDCP compliance indicator, illuminate green when the source signals is with HDCP; blink when it is not with HDCP; and turn off when there is no source signal.
⑧	RESET	<p>Press the button to reboot Scaler Wall Plate HDBaseT Transmitter-B.</p>
⑨	FIRMWARE	<p>USB port, used for firmware update</p> <p>Plug a flash disk or other storage device with update file (MERGE.bin), and send command 50698% to update firmware.</p>

2.2 Side Panel



① HDBaseT OUT: RJ45 port, connect with receiver via a CAT5e/6 cable to deliver Audio/ Video signals, support PoC.

Note: Scaler Wall Plate HDBaseT Transmitter-B support unidirectional PoC, i.e. it can be energized by far-end receiver but it can't energize far-end receiver.

2.3 Rear Panel



No.	Name	Description
①	Power In	Power in port, 2-pin pluggable terminal block, connect with DC 12V power adapter
②	Power Out	Power out port, connect with Programmable Control Panel to energize it with a 12V power output
③	RS232	Serial port, connects with a far-end receiver, supports bi-directional RS232 control (send control signal from local or receive control signal sent from far-end devices).

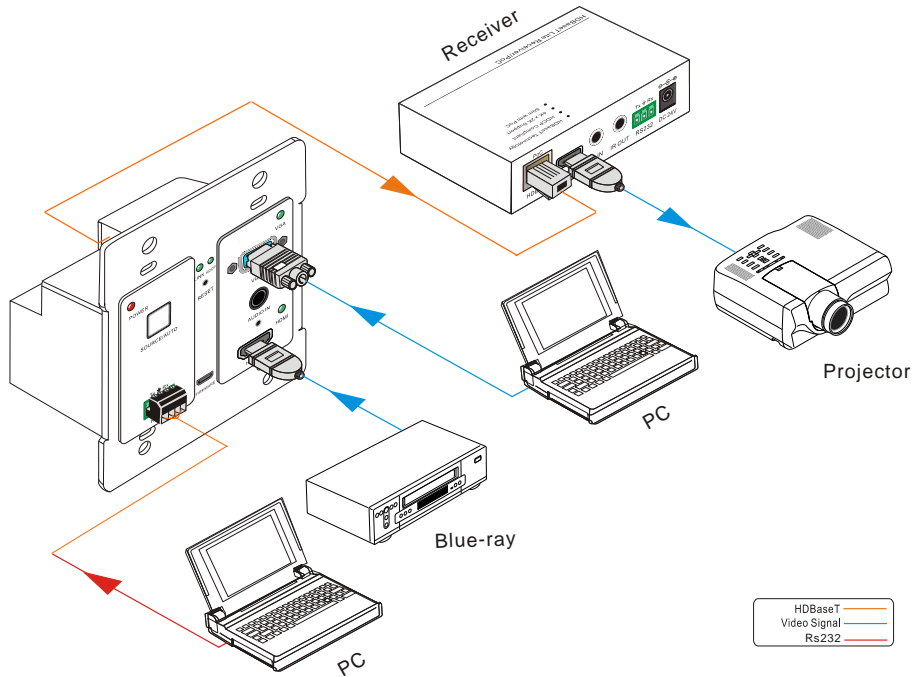
Note: Pictures shown in this manual are for reference only, different model and specifications are subject to real product.

3. System Connection

3.1 Usage Precautions

- 1) System should be installed in a clean environment and has a prop temperature and humidity.
- 2) All of the power switches, plugs, sockets and power cords should be insulated and safe.
- 3) All devices should be connected before power on.

3.2 System Diagram



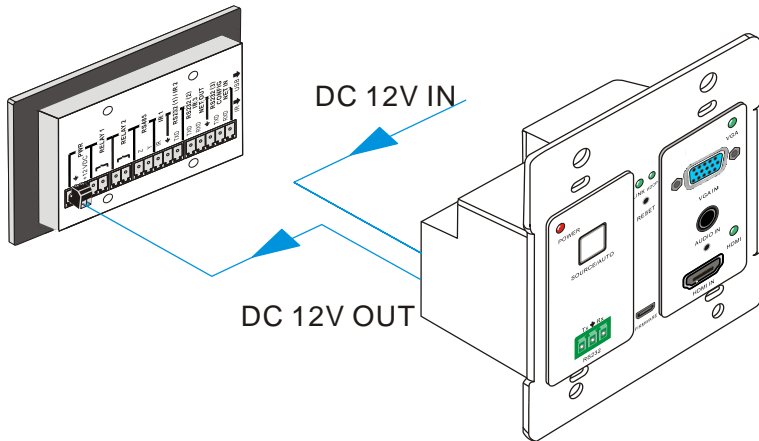
3.3 Connection Procedure

- Step1.** Connect HDMI source device (e.g. Blue-ray DVD) to HDMI input ports of Scaler Wall Plate HDBaseT Transmitter-B with HDMI cable. Connect a VGA source device (e.g. PC) to the VGA input port of Scaler Wall Plate HDBaseT Transmitter-B with VGA cable.
- Step2.** Connect an HDBaseT Receiver to the HDBaseT port on the rear panel with twisted pair.
- Step3.** Connect a HDMI display to the HDMI OUT port of HDBaseT Receiver.
- Step4.** Connect a control terminal to the RS232 port on the front panel of HDBaseT Receiver.
- Step5.** Connect control device (e.g. PC) to RS232 port of Scaler Wall Plate HDBaseT Transmitter-B or HDBaseT Receiver (bi-directional RS232 control, either is available).
- Step6.** Connect DC 24V power adaptor to the power port of HDBaseT Receiver, Scaler Wall Plate HDBaseT Transmitter-B is able to get power from HDBaseT Receiver with PoC solution.

Note: Scaler Wall Plate HDBaseT Transmitter-B supports unidirectional PoC, i.e., Scaler Wall Plate HDBaseT Transmitter-B can get power from far-end PoC devices with PoC function while it can't energize far-end PoC devices when the power supply is connected to Scaler Wall Plate HDBaseT Transmitter-B.

3.4 Energizing Programmable Control Panel

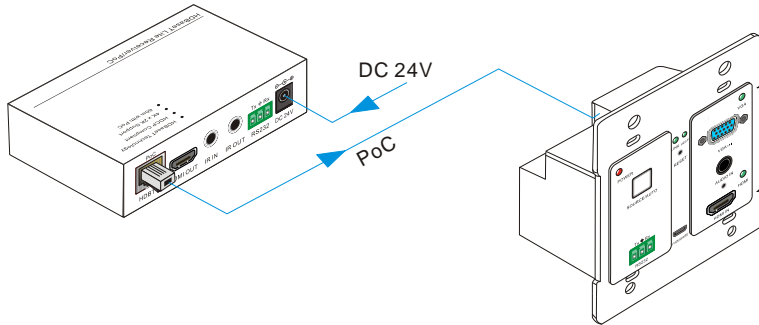
Scaler Wall Plate HDBaseT Transmitter-B has a 12V power output port on the rear panel. Connect the 12V power output port of Scaler Wall Plate HDBaseT Transmitter-B to the power port of Programmable Control Panel (refer to the following figure), Scaler Wall Plate HDBaseT Transmitter-B is capable of energizing Programmable Control Panel.



3.5 PoC Solution

Scaler Wall Plate HDBaseT Transmitter-B has a HDBaseT OUTPUT port on the rear panel, which can extend HDMI/ VGA signals up to 60m. Meanwhile it also supports PoC, which allows several terminals share the same power supply and eliminates the need for extra power supply at the remote nodes.

Connect a DC 24V power adapter to the power port of HDBaseT Receiver, Scaler Wall Plate HDBaseT Transmitter-B can be energized synchronously with PoC solution, see the picture below:



3.6 Application

Scaler Wall Plate HDBaseT Transmitter-B has a good application in various occasions, such as computer realm, monitoring, conference room, big screen displaying, television education, command & control center and smart home etc.

4. Operations

4.1 Operations of front panel buttons

Scaler Wall Plate HDBaseT Transmitter-B has a channel switching button on the front panel, through which users can switch input source signals.

It supports both manual switching and auto switching. (Default: Auto switching) Press and hold the switching button for 3 seconds or send command “**50770%**” and “**50771%**” to switch between the two modes.

Switching modes:

➤ Auto switching mode

In this mode, the indicator will illuminate green, and Scaler Wall Plate HDBaseT Transmitter-B will recognize the last connected source device as input source automatically. Disconnect the present source device, it will deliver the other source signal (if there is input signal on the other source).

➤ Manual switching mode

In this mode, the indicator will remain off. Press the switching button to select input source, it will switch circularly between HDMI and VGA. Or switch it by sending RS232 commands.

The indicator of the selected input source will illuminate green.

4.2 RS232 Control

As RS232 can be transmitted bi-directionally between Scaler Wall Plate HDBaseT Transmitter-B and HDBaseT Receiver, so it is able to control a third party RS232 device from local or control Scaler Wall Plate HDBaseT Transmitter-B from remote. When to control a third party RS232 device, the baud rate of this device should be 2400, 4800,

9600, 19200, 38400, 57600 or 115200.

4.2.1 Installation/uninstallation of RS232 Control Software

- **Installation** Copy the control software file to the computer connected with Scaler Wall Plate HDBaseT Transmitter-B.
- **Uninstallation** Delete all the control software files in corresponding file path.

4.2.2 Basic Settings

First, connect Scaler Wall Plate HDBaseT Transmitter-B with all input devices and output devices needed, then to connect it with a computer which is installed with RS232 control software. Double-click the software icon to run this software.

Here we take the software **CommWatch.exe** as example. The icon is showed as below:



The interface of the control software is showed as below:

Parameter Configuration area

Monitoring area, indicates if the command sent works.

Command Sending area

Please set the parameters of COM number, bound rate, data bit, stop bit and the parity bit correctly, and then you are able to send command in Command Sending Area.

4.2.3 RS232 Communication Commands

Communication protocol: RS232 Communication Protocol

Baud rate: 9600

Data bit: 8

Stop bit: 1

Parity bit: none

Command	Function	Feedback Example
Switch Commands		
50701%	Switch to HDMI input	Switch to HDMI
50704%	Switch to VGA input	Switch to VGA
50705%	Change the horizontal polarity to the opposite	Hpolarity:0/1
50706%	Change the vertical polarity to the opposite	Vpolarity:0/1
50707%	Check the present resolution and polarity	1920x1080 Hpolarity:1 Vpolarity:0
50770%	Enable auto-switching	Auto Switching
50771%	Disable auto-switching	Manual Switching
Resolution Commands		
50619%	Change the resolution to 1360X768 HD	Resolution: 1360x768
50626%	Change the resolution to 1024X768 XGA	Resolution: 1024x768
50627%	Change the resolution to 1280X720 720P	Resolution: 1280x720
50628%	Change the resolution to 1280X800 WXGA	Resolution: 1280x800
50629%	Change the resolution to 1920X1080 1080P	Resolution: 1920x1080
50620%	Change the resolution to 1920X1200 WUXGA	Resolution: 1920x1200

50621%	Change the resolution to 1600X1200 UXGA	Resolution: 1600x1200
Setup Commands		
502xx%	Set the brightness to xx. XX ranges from 00 to 99	Brightness: xx
503xx%	Set the contrast to xx. XX ranges from 00 to 99	Contrast: xx
504xx%	Set the saturation to xx. XX ranges from 00 to 99	Saturation: xx
505xx%	Set the sharpness to xx. XX ranges from 00 to 99	Sharpness: xx
50606%	Auto-adjust the input parameter	VGA Input Auto
50607%	Adjust the color temperature	Color Temperature: xx (xx can be medium, warm, user, or cool)
50608%	Set the aspect ratio	Aspect Ratio: xx (xx can be 16:9, 4:3, or auto.)
50614%	Set the picture mode	Picture Mode: xx (xx can be dynamic, standard, mild, or user.)
50699%	Check the system version	Version Vx.x.x
50779%	Switch to RS232 mode 1, enable scaler to control far-end devices (Default)	RS232 Mode 1: RS232 Control Scaler & Remote
50780%	Switch to RS232 mode 2, enable far-end devices to control scaler	RS232 Mode 2: RS232 & Remote Control Scaler
50790%	Set the HDCP status of HDMI output socket to Active	HDCP Active
50791%	Set the HDCP status of HDMI output socket to On	HDCP On

50792%	Set the HDCP status of HDMI output socket to Off	HDCP Off
50698%	Software update	
50617%	Reset to factory default	
Inquire Commands		
50632%	Check the output resolution	Resolution: xx
50633%	Check the picture mode	Picture Mode: xx
50793%	Check HDCP status	HDCP Off HDCP On HDCP Active
50635%	Check the image aspect ratio	Aspect Ratio: xx
50636%	Check the brightness	Brightness: xx
50637%	Check the contrast	Contrast: xx
50638%	Check the saturation	Saturation: xx
50639%	Check sharpness	Sharpness: xx
50640%	Check the color temperature	Color Temperature: xx
Adjustment Commands		
50678%	Enable screen output adjusting	Enter Output Position Adjust
50679%	Disable screen output adjusting	Exit Output Position Adjust
50670%	Move the image to left	Output Position Adjust X xx
50671%	Move the image to right	Output Position Adjust X xx
50672%	Move the image up	Output Position Adjust Y xx
50673%	Move the image down	Output Position Adjust Y xx
50674%	Pull left from right side (decrease image width)	Output Width Adjust xx
50675%	Stretch right from right side (increase image width)	Output Width Adjust xx
50676%	Stretch upwards from bottom side (decrease image height)	Output Height Adjust xx
50677%	Stretch downwards from bottom side (increase image height)	Output Height Adjust xx

EDID Commands		
50772%	EDID pass-through	EDID: bypass mode
50773%	Set EDID data to 1080P PCM 2.0ch	EDID:1080P&PCM 2ch
50774%	Set EDID data to 1080P Dolby 5.1	EDID:1080P&5.1ch
50775%	Set EDID data to 1080P3D Dolby 5.1	EDID:1080P3d&5.1ch
50776%	Set EDID data to 1080i PCM 2.0ch	EDID:1080i&PCM 2ch
50777%	Set EDID data to 4K*2K PCM 2.0ch	EDID:4K&PCM 2ch
50778%	Check EDID data	EDID:1080P&PCM 2ch EDID:1080P&5.1ch EDID:1080P3d&5.1ch EDID:4K&PCM 2ch
50799%	Program EDID file, send EDID data within 10s	Waiting for edid within 10 secs!

Note:

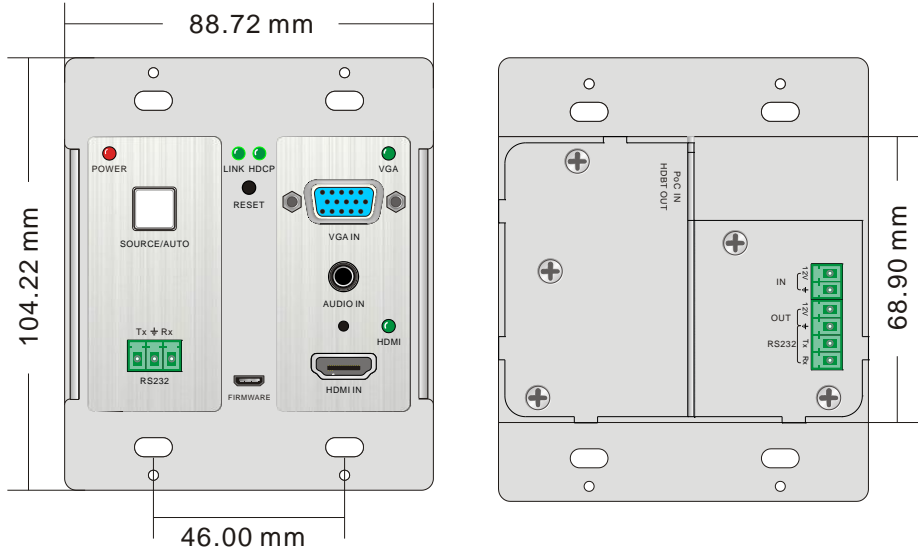
1. Commands with grey background are for VGA sources only.
2. EDID commands are for HDMI sources only.

5. Specification

Video			
Input	1 HDMI, 1 VGA	Output	1 HDBaseT
Input Connector	1 19-pin Type A HDMI female; 1 15-pin VGA	Output Connector	1 RJ45
Transmission Mode	HDBaseT		
Audio			
Input	1 synchronous VGA audio		
Input Connector	1 3.5mm stereo jack		
Frequency Response	20Hz~20KHz		
Impedance	> 10Ω	SNR	>85db@20Hz~20KHz
Control Parts			
Control Ports	1 3-pin RS232 socket on front panel 1 3-pin RS232 socket on rear panel (share the ground pole with 12V)		

	OUT)		
General			
Resolution	VGA: 800 x600, 1024 x 768, 1280 x 800,1280 x 1024, 1440 x 900,1600 x 1200, 1920 x 1080, 1920 x 1200; HDMI: 4Kx2K, 1080p 3D, 1080P(HD)/1080i/720P/576P/576i/480P/480i		
Transmission Distance	1080P≤60M (PoC) 4Kx2K≤40M (PoC)		
Bandwidth	10.2Gbps		
HDMI Standard	Support HDMI1.4 and HDCP		
Chassis Dimension	Decora style two gang	Power Supply	DC 12V 2A; 9.6W
Temperature	-10 ~ +40°C	Reference Humidity	10% ~ 90%
Dimension (W*H*D)	104.5 x 89 x 44 mm	Weight	0.29Kg

6. Panel Drawing



7. Troubleshooting & Maintenance

Problems	Causes	Solutions
Color losing or no video signal output in HDMI display	The connecting cables may not be connected correctly or it may be broken	Check whether the cables are connected correctly and in working condition.
No HDMI signal output in the device while local HDMI input is in normal working state		
Output image with snowflake		
POWER indicator doesn't work or no respond to any operation	Loose or failed power cord connection	Ensure the power cord connection is good
Cannot control the device by control device (e.g. a PC) through RS232 port	Wrong RS232 communication parameters	Make sure the RS232 communication parameters are correct.
Static becomes stronger when connecting the video connectors	bad grounding	Check the grounding and make sure it is connected well.
Cannot be controlled through RS232 port or front panel buttons	The unit may have already been broken	Send it to authorized dealer for repairing.

If your problem persists after following the above troubleshooting steps, seek further help from authorized dealer or our technical support.

8. After-sales Service

If problems arise when operating the device, please refer to this user manual. Any transport costs are borne by the users during the warranty.

1) Product Limited Warranty: We warrant that products will be free from defects in materials and workmanship for **three years**, which starts from the first day the product exits warehouse. (Make note of the serial number on the product)

Proof of purchase in the form of a bill of sale or receipted invoice **MUST** be presented to obtain warranty service.

2) What the warranty does not cover:

- Warranty expiration.
- Factory applied serial number has been altered or removed from the product.
- Damage, deterioration or malfunction caused by:
 - Normal wear and tear
 - Use of supplies or parts not meeting our specifications
 - No certificate or invoice as the proof of warranty.
 - The product model showed on the warranty card does not match with the model of the product for repairing or had been altered.
 - Damage caused by force majeure.
 - Servicing not authorized
 - Any other causes which does not relate to a product defect
- Delivery, installation or labor charges for installation or setup of the product

3) Technical Support: Email or call our after-sales department if there are any problems or any unanswered questions. Please inform us the following information about your cases:

- Product version and name.
- Detailed failure situations.
- The formation of the cases.

Remarks: For any questions or problems, please try to get help from your local distributor or contact kanexpro.com or call us at 888-975-1368 for further support.

9. Warranty

A. LIMITED WARRANTY

KanexPro™ warrants that (a) its products (the “Product”) will perform greatly in agreement with the accompanying written materials for a period of 36 months (3 full years) from the date of receipt and (b) that the product will be free from defects in materials and workmanship under normal use and service for a period of 3 years.

B. CUSTOMER REMEDIES

KanexPro’s entire liability and Customer’s exclusive remedy shall be, at KanexPro option, either return of the price paid for the product, or repair or replacement of the Product that does not meet this Limited Warranty and which is returned to KanexPro with a copy of customers’ receipt. This Limited Warranty is void if failure of the Product has resulted from accident, abuse, or misapplication. Any replacement Product will be warranted for the remainder of the original warranty period of 3 years, whichever is longer.

C. NO OTHER WARRANTIES

To the maximum extent permitted by applicable law, KanexPro disclaims all other warranties, either express or implied, including, but not limited to implied warranties of merchantability and fitness for a purpose, regarding the product and any related written materials. This limited warranty gives customers specific legal rights. Customers may have other rights depending on the jurisdiction.

D. NO LIABILITY FOR DAMAGES

To the maximum extent permitted by applicable law, in no event shall KanexPro be liable for any damages whatsoever (including without limitation, special, incidental, consequential, or indirect damages for personal injury, loss of business profits, business interruption, loss of business information, or any other pecuniary loss) arising out of the use of or inability to use this product, even if KanexPro has been advised of the possibility of such damages.

KanexPro[®]

1405 pioneer street

Brea, CA 92821